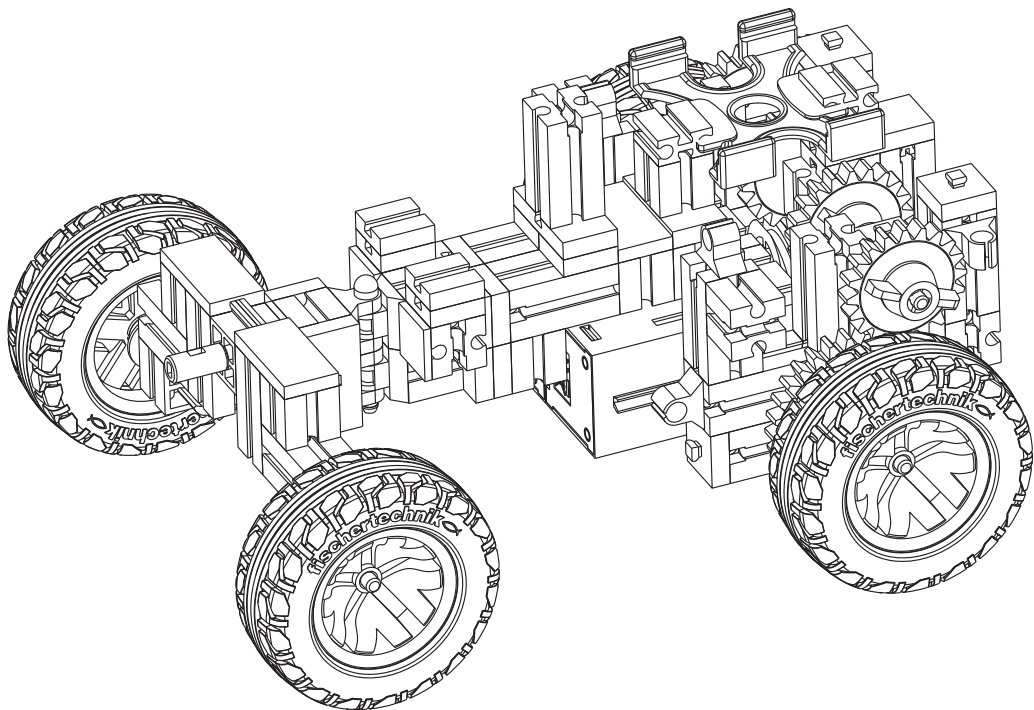


model XM65DW - 1

model XM65DW - 1





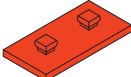

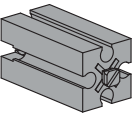

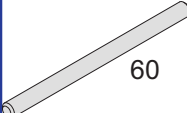
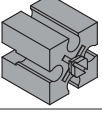
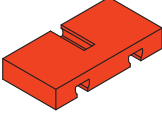
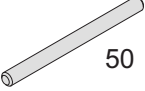

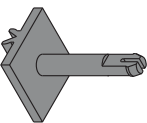
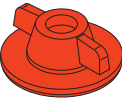
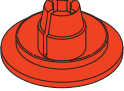
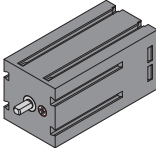
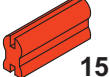


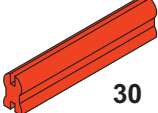
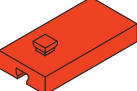

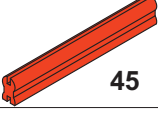
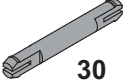
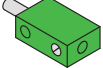
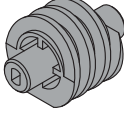
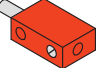
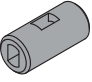




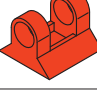


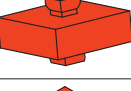

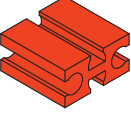
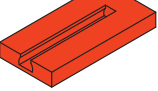

 didacta
advance

Travnička 18, 40000 Čakovec , Croatia (EU)

www.didacta.hr

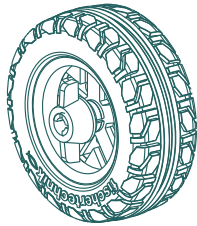
fischertechnik 

model XM65DW - 1

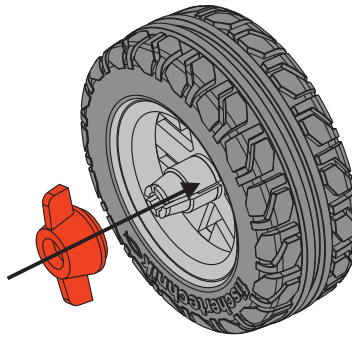
	31021 x 4		32870 x 1		38241 x 2
	31023 x 4		32879 x 21		38246 x 2
	31032 x 4		32881 x 9		38428 x 6
	31033 x 2		32882 x 13		130593 x 1
	31058 x 6		35031 x 6		135485 x 2
	31060 x 4		35033 x 4		163205 x 4
	31061 x 5		35049 x 3		163206 x 4
	31330 x 1		35063 x 2		
	31336 x 6		35072 x 2		
	31337 x 6		35073 x 1		
	31360 x 1		35969 x 6		
	31426 x 2		36264 x 2		
	31436 x 2		37237 x 4		
	31982 x 6		37238 x 4		
	32064 x 8		37468 x 9		
	32330 x 4		37679 x 2		


model XM65DW - 1

1

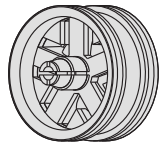


4 x **1**






35033 x 4

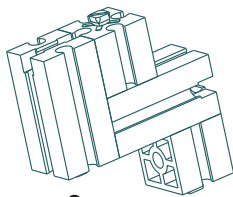


163205 x 4

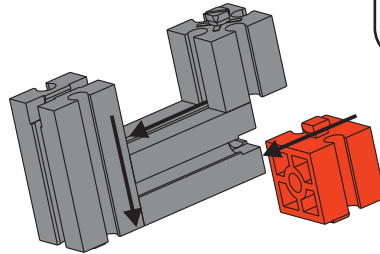



163206 x 4

1




2 x

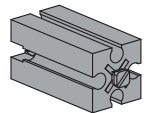




32064 x 2

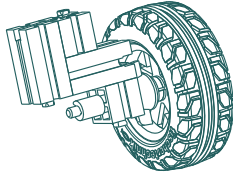


32882 x 2

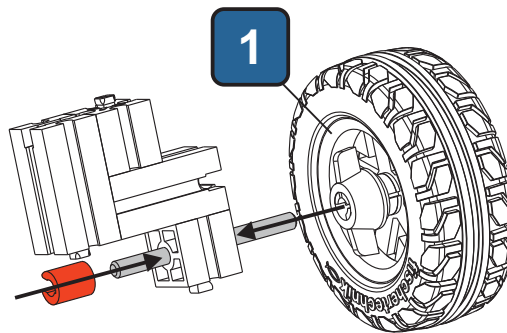



32879 x 4

1

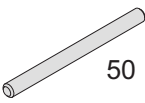


2 x **2**



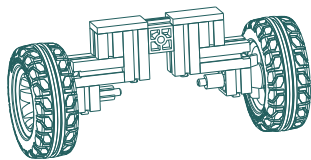


31023 x 2

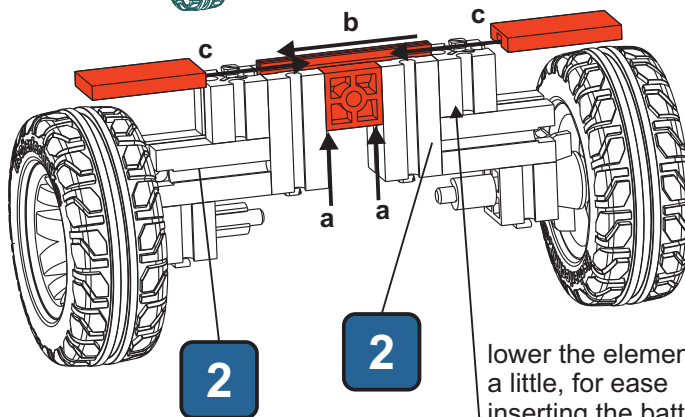


50
31033 x 2


2



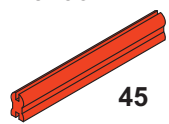
3



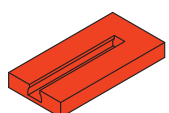
lower the elements
a little, for ease
inserting the batten



32064 x 1



45
31330 x 1

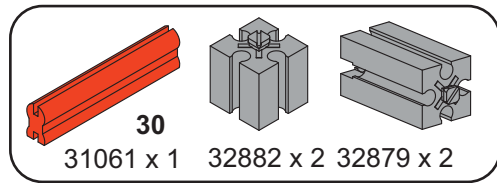
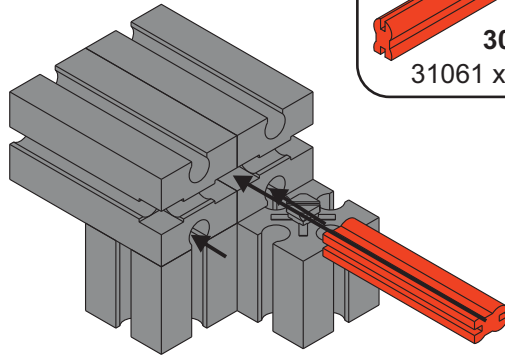
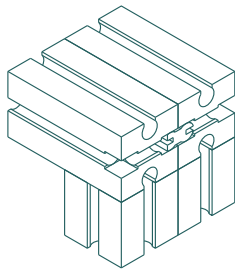


32330 x 2

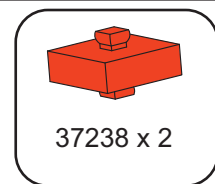
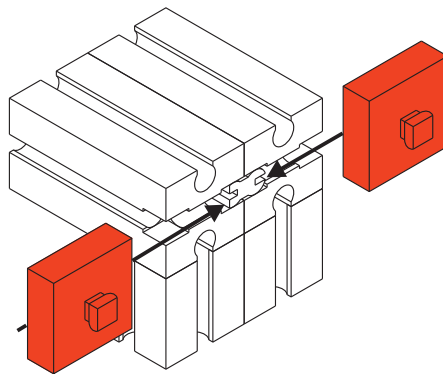
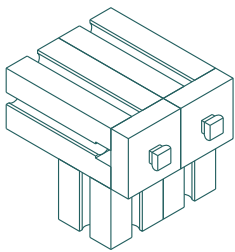
3

model XM65DW - 1

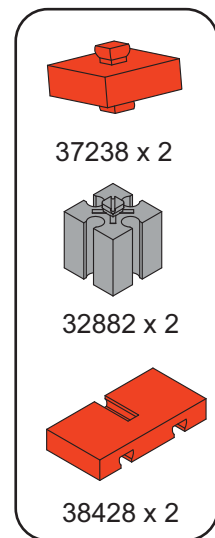
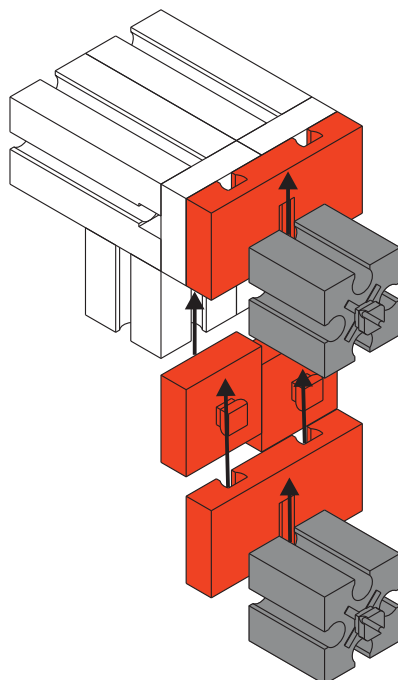
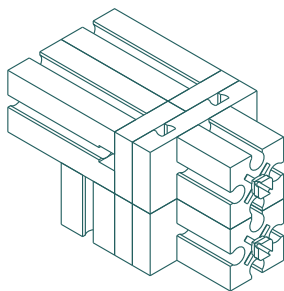
2



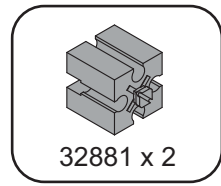
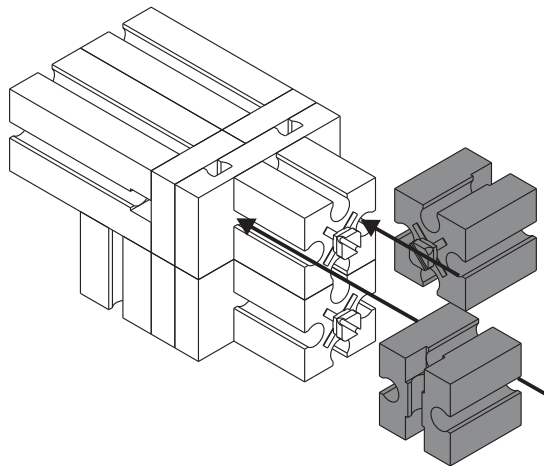
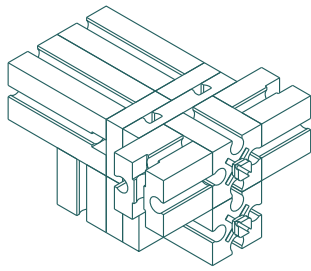
1



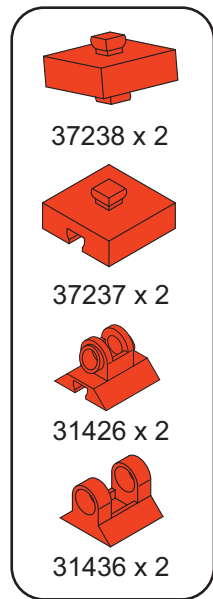
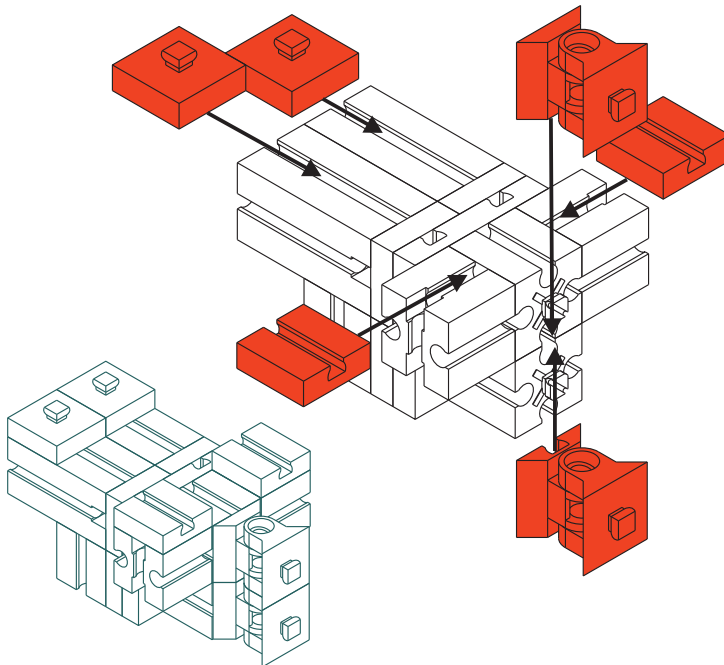
2



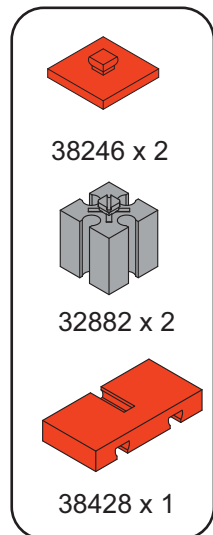
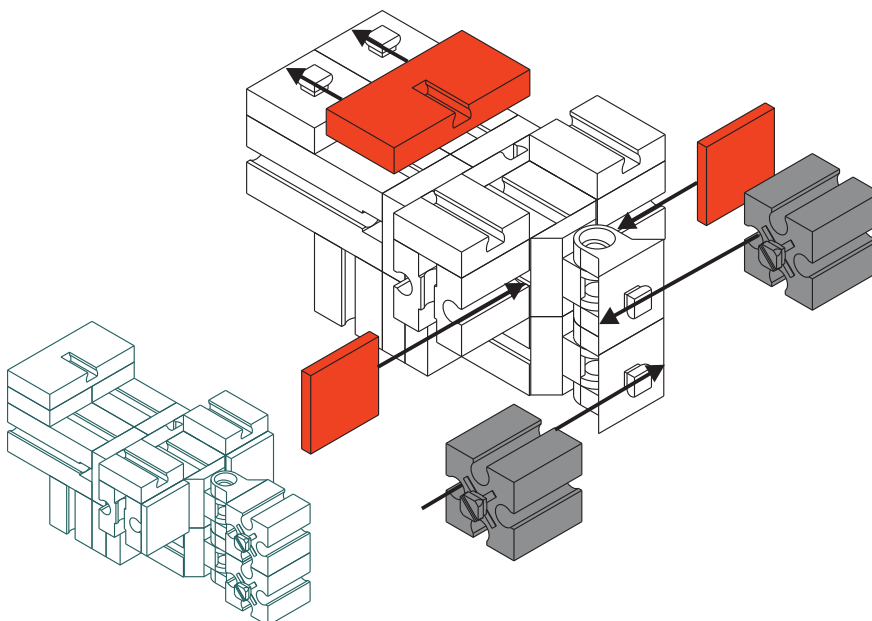
3



4



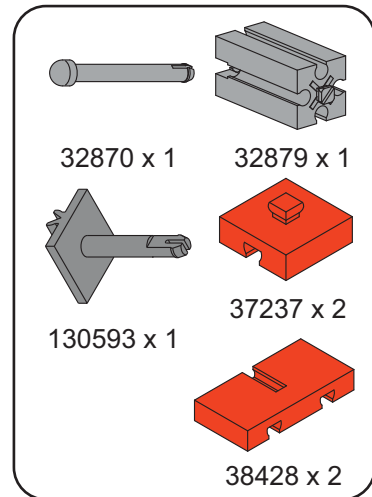
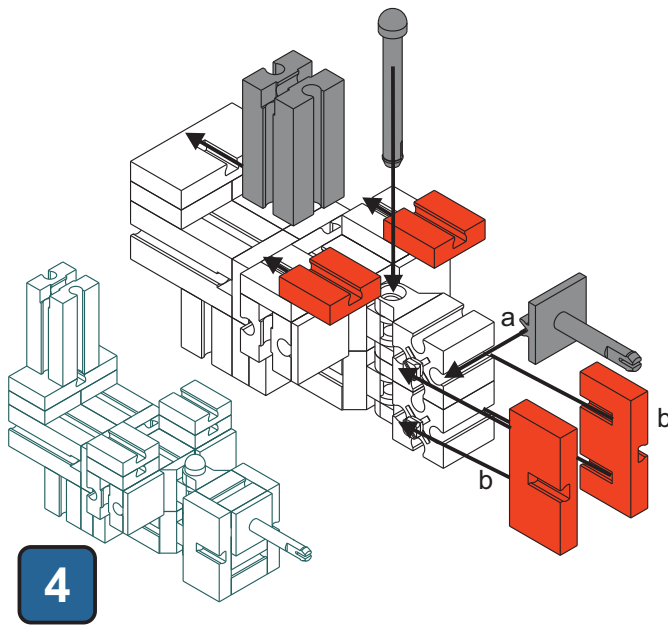
5



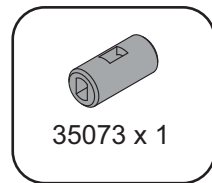
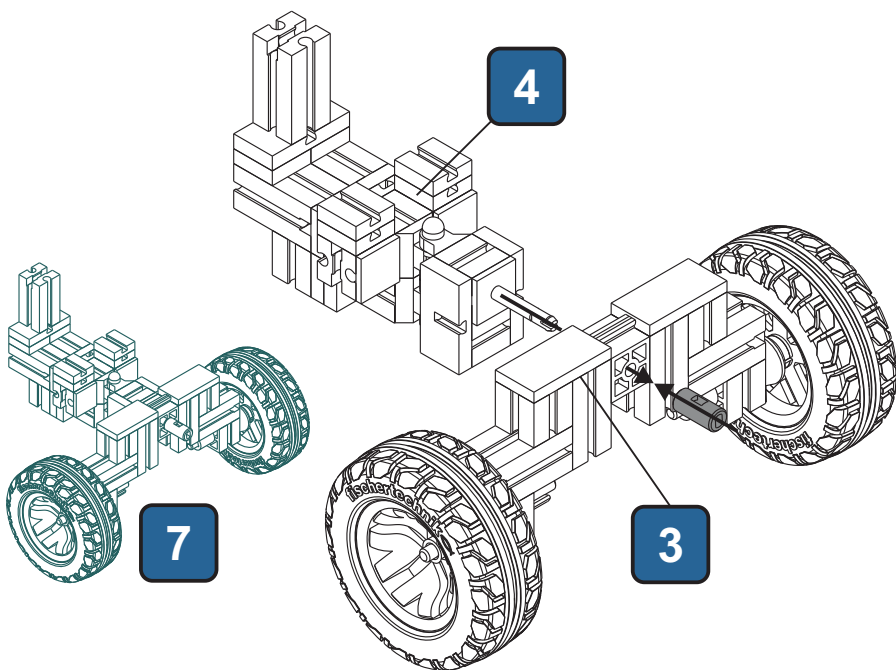
6

model XM65DW - 1

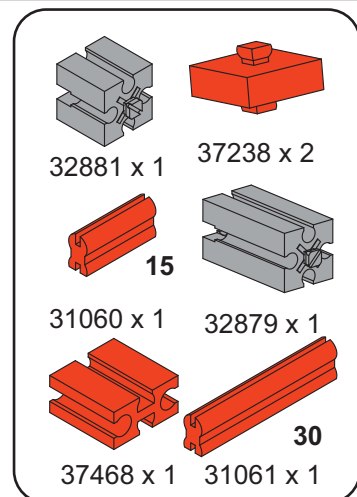
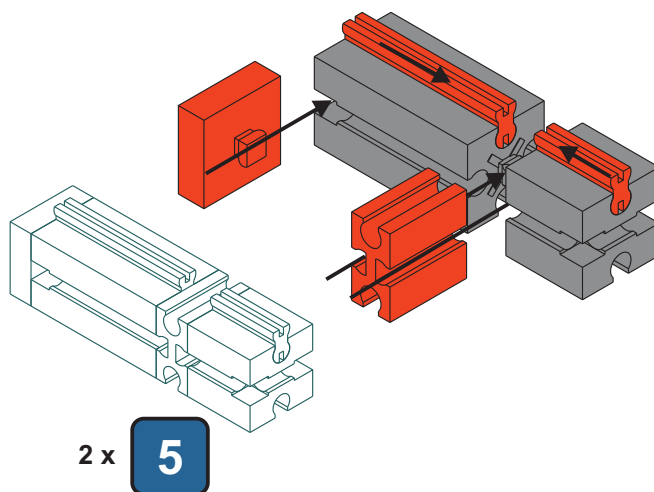
4



7



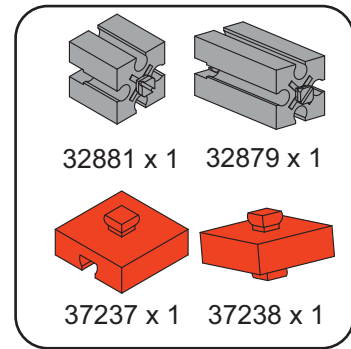
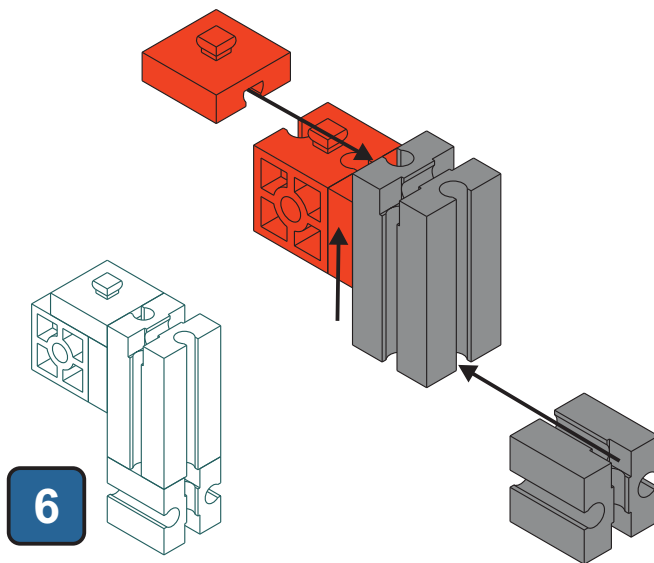
8



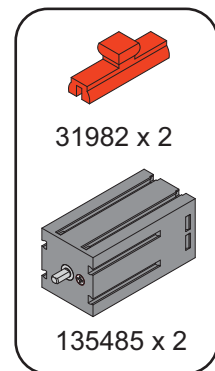
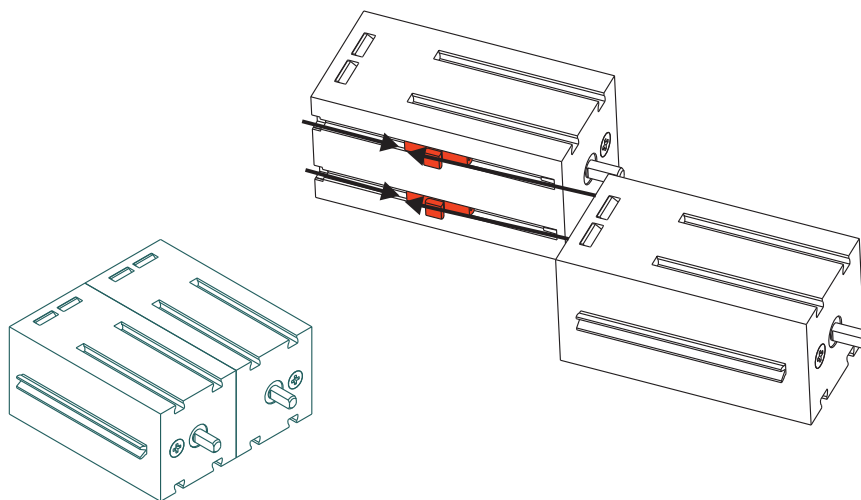
1

model XM65DW - 1

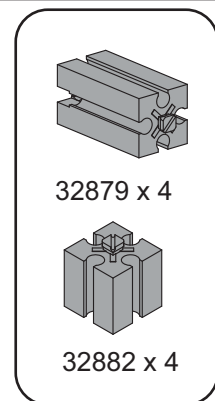
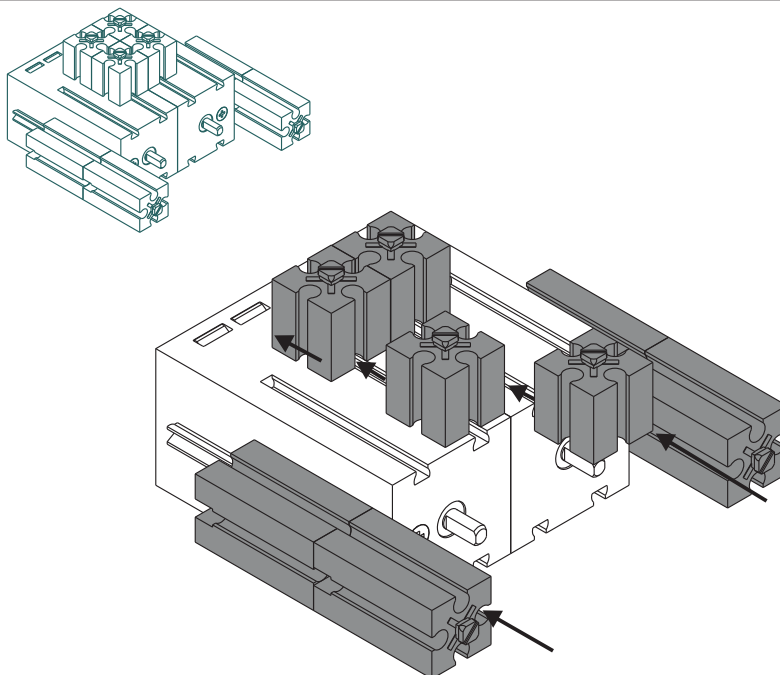
5



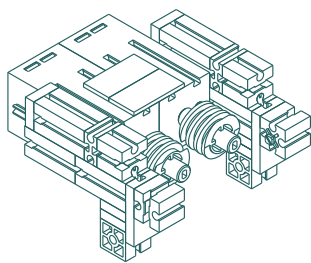
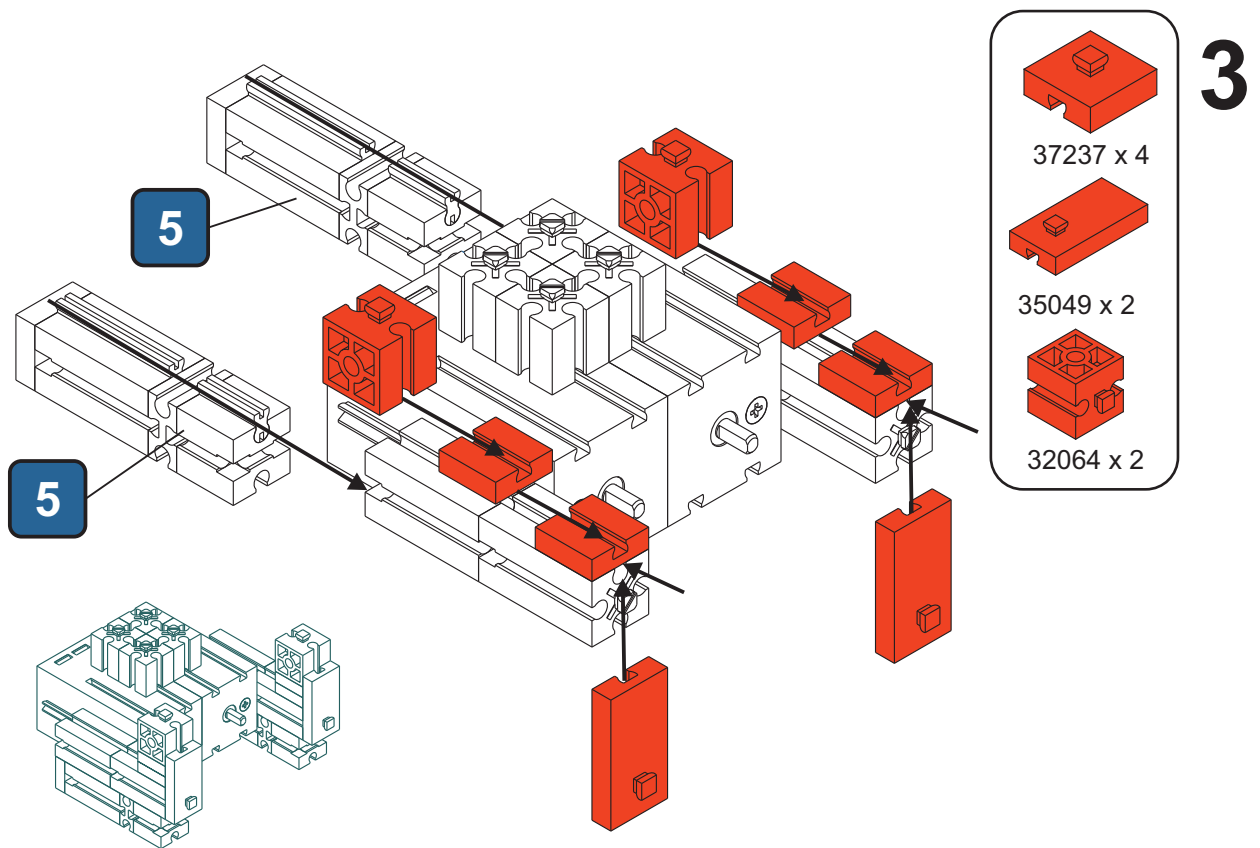
1



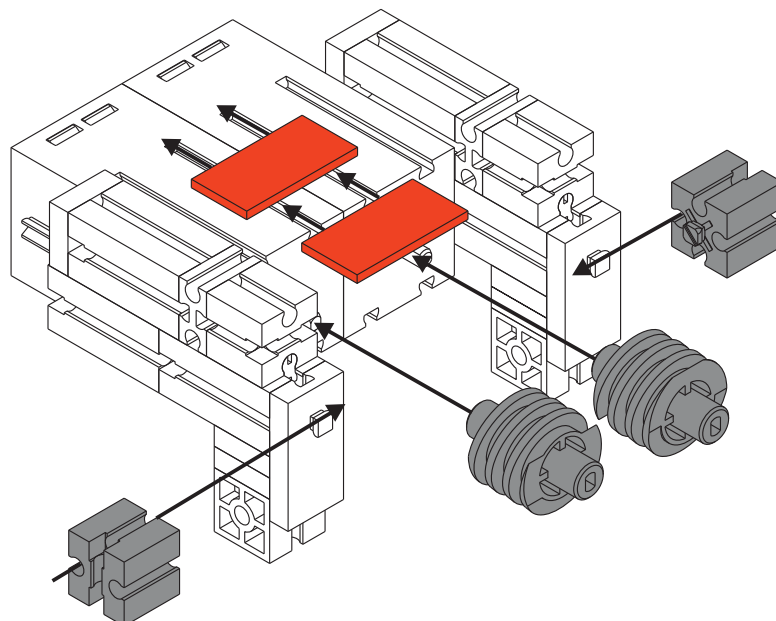
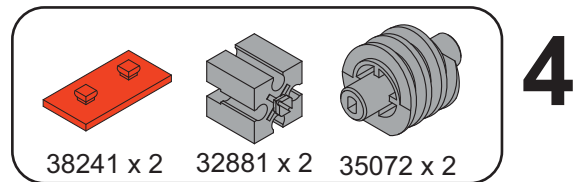
1

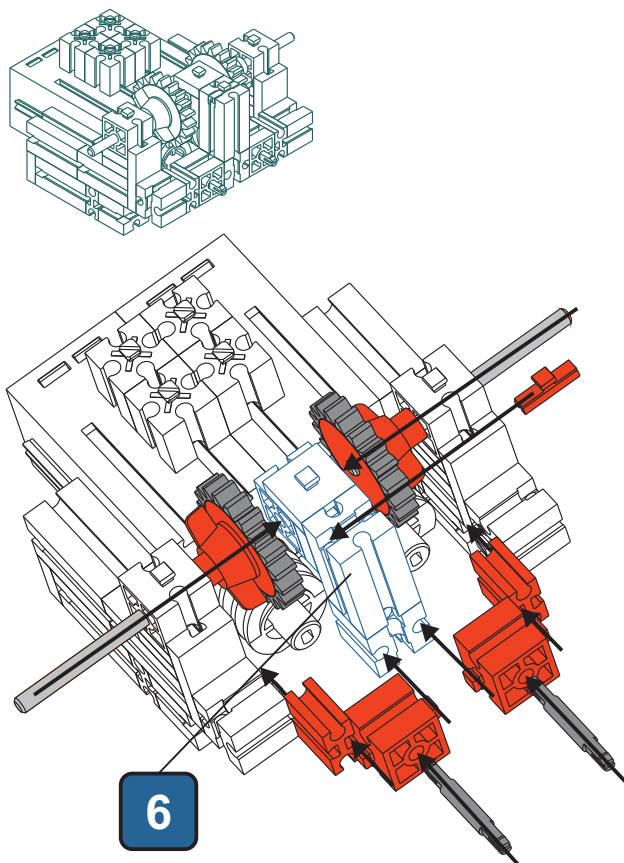


2



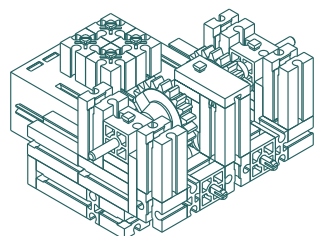
view from below





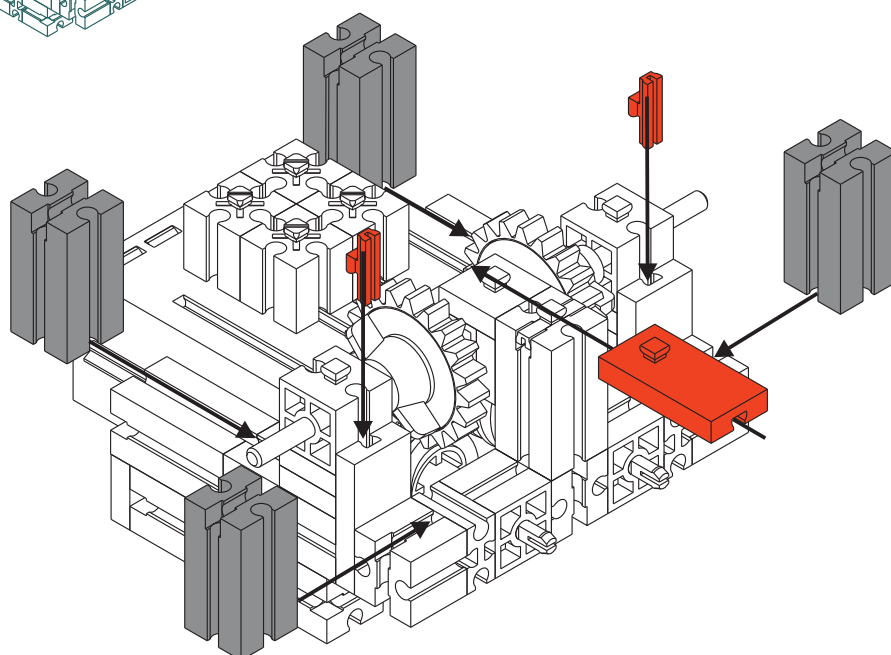
31021 x 2	32064 x 2
35031 x 2	37468 x 2
31058 x 2	60
31982 x 1	31032 x 2
	37679 x 2

5



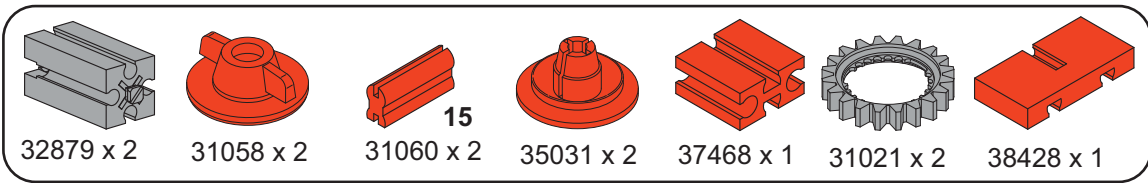
35049 x 1	31982 x 2	32879 x 4

6

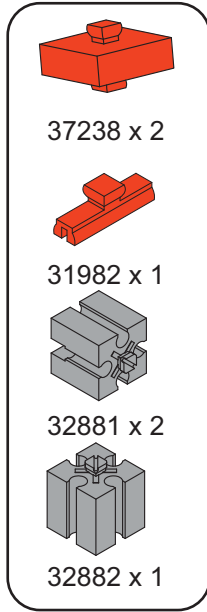
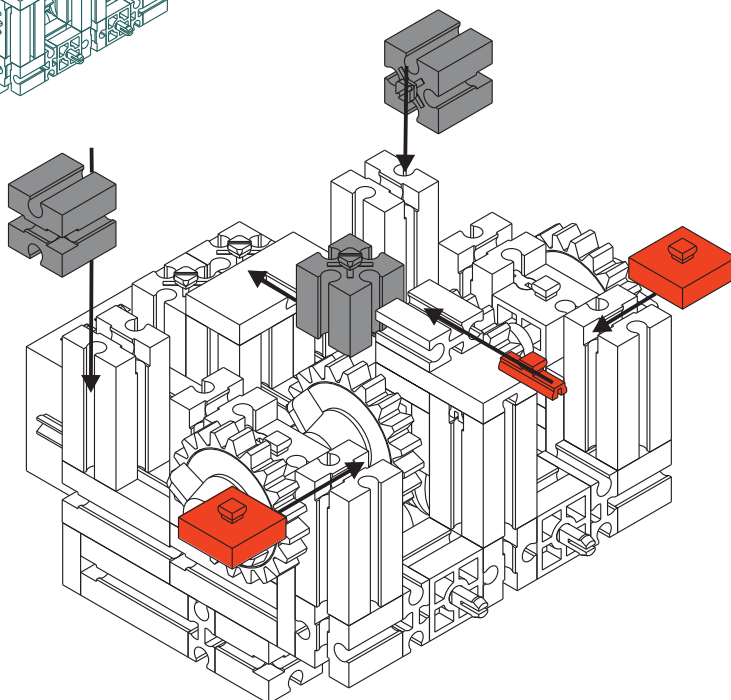
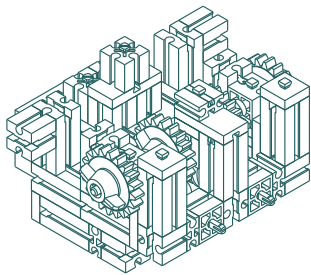
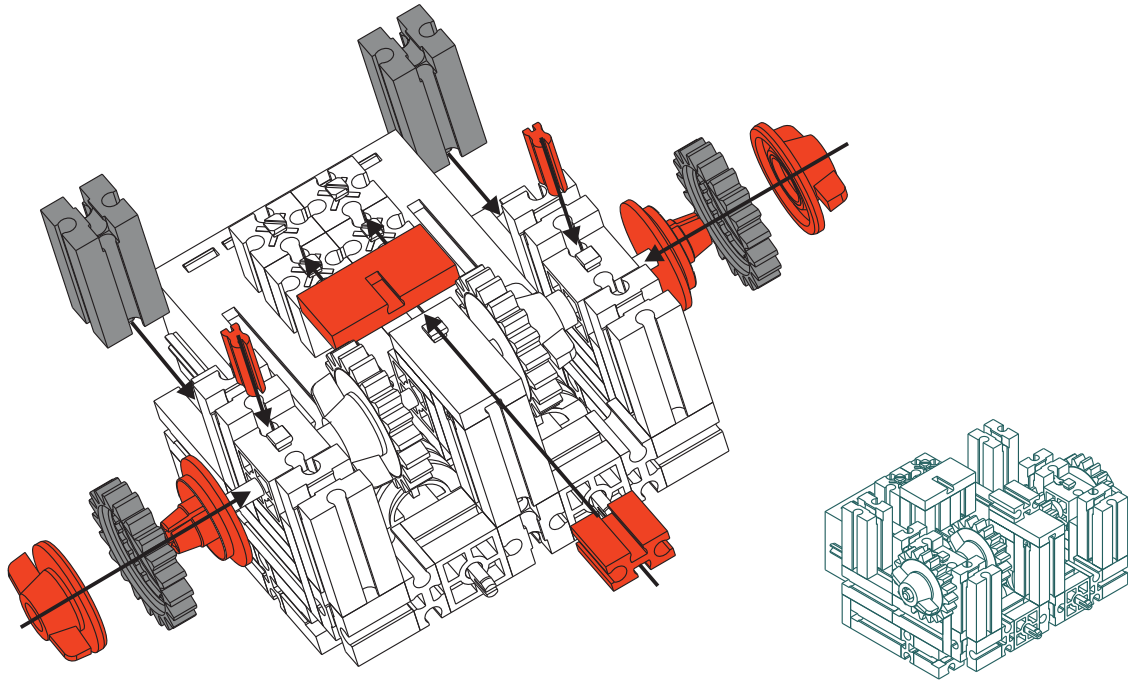


model XM65DW - 1

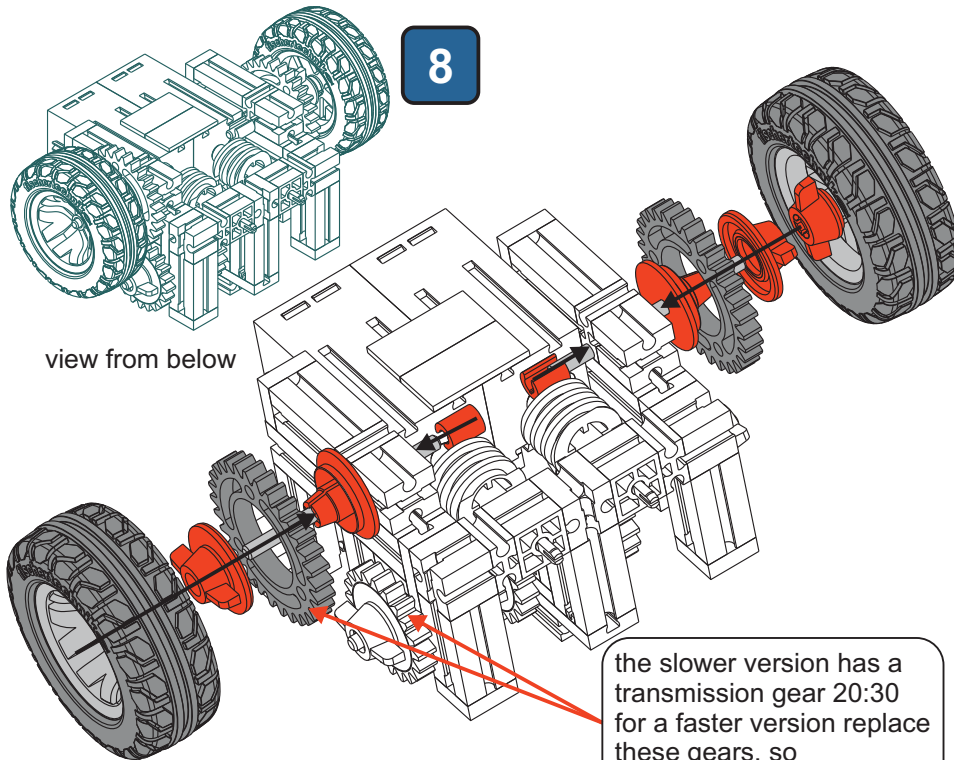
8



7



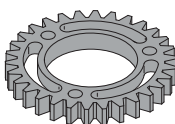
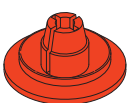
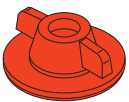
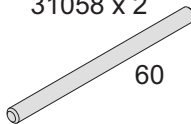


8



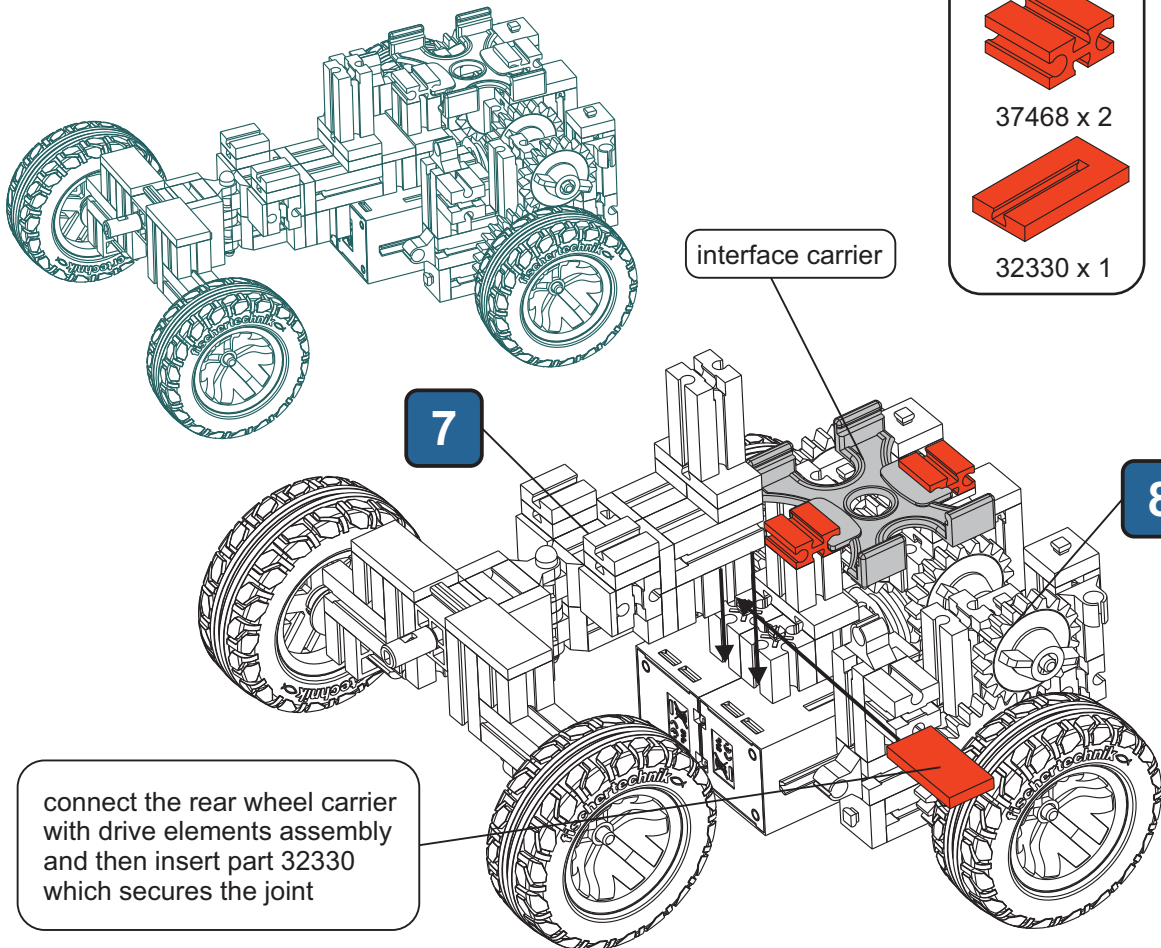
view from below

the slower version has a transmission gear 20:30 for a faster version replace these gears, so you get a 30:20 transfer

9

-  36264 x 2
-  35031 x 2
-  31058 x 2
-  60
-  31032 x 2
-  31023 x 2

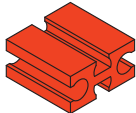
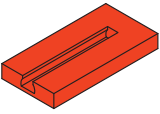
REAR AND DRIVE ASSEMBLY CONNECTION



interface carrier

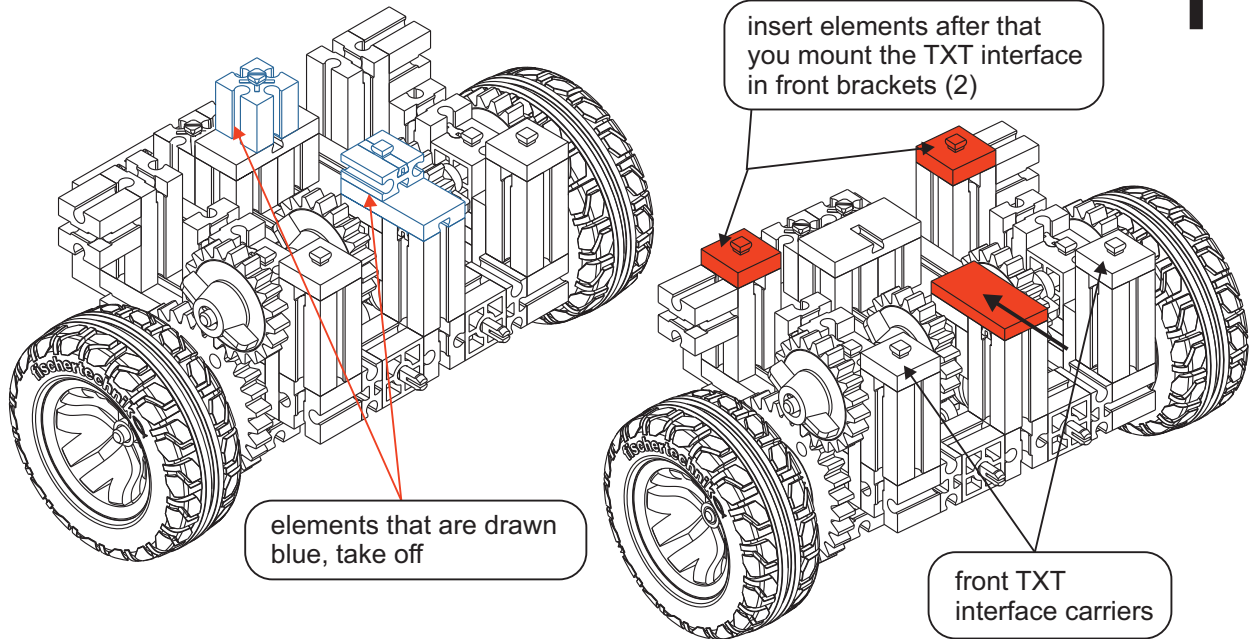
connect the rear wheel carrier with drive elements assembly and then insert part 32330 which secures the joint

10

-  37468 x 2
-  32330 x 1

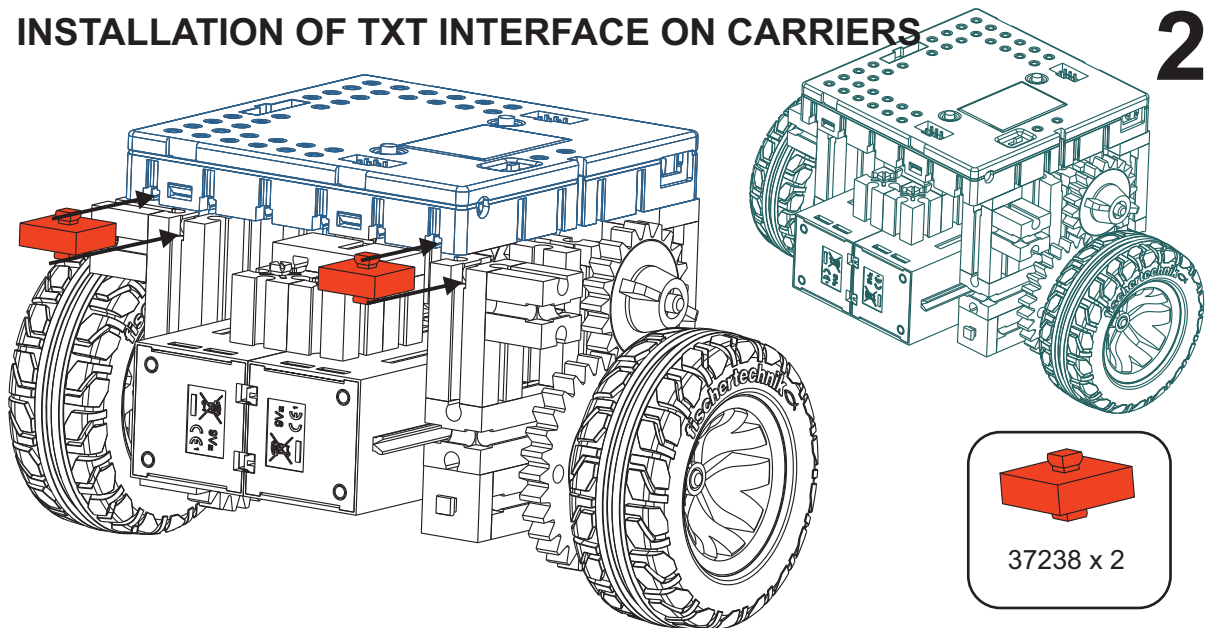
REQUIRED CHANGES FOR TXT INTERFACE CARRIER

1



INSTALLATION OF TXT INTERFACE ON CARRIERS

2



IR AND COLOR SENSOR INSTALLATION

1

